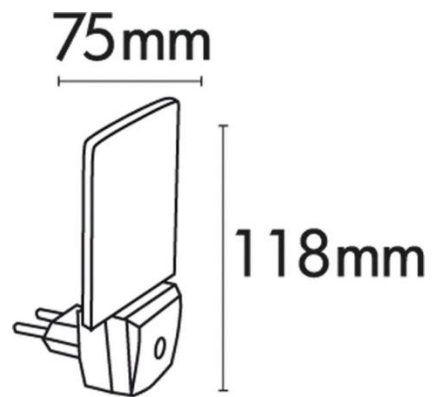


LED Nightlight - Cat. No.: 26524

Setting Up the Nightlight

1. Gently remove the unit from the packaging.
2. Insert the nightlight plug into a working outlet.
3. The nightlight turns ON in the dark and OFF when there is light automatically.
4. The light sensor is located on the middle part of the plug front side. Please make sure there is nothing blocks the light; otherwise, it will be always on.



Troubleshooting

Problem	Likely Cause	Solution
The light doesn't go on	No power	Make sure the light is plugged into a working outlet
	The environment is too bright	The light will turn on only when it is dark
The light doesn't go off	Light sensor is blocked	Make sure there is nothing blocks the light

Parameter

Power	0.5W
Voltage	230V
Frequency	50Hz
Current	30mA

WARNING: THIS IS NOT A TOY! TO PREVENT FIRE OR SHOCK HAZARD, DO NOT EXPOSE THIS APPLIANCE TO RAIN OR MOISTURE.

DISPOSAL:

The packaging material is reusable. Dispose of the packaging in an environmentally friendly way by putting it in the appropriate recyclable waste collection containers.



Dispose of the product and the batteries in view of the environment if you want to separate. The device and the batteries must not be thrown in with domestic waste. Take them to a recycling center for used electrical and electronic devices. For more information you can consult your local government. Remove batteries first.

Eurotops Versand GmbH
Elisabeth-Selbert-Straße 3
40764 Langenfeld, Germany

EURO
tops

If technical support is needed, please call ...

in Germany 0180 . 530 63 63* or info@eurotops.de

in Austria 01 . 230 60 43 12 or info@eurotops.at

in Switzerland 044 . 28 36 125 or info@eurotops.ch

in the Netherlands 026 . 37 36 333 or info@eurotops.nl

in France 0892 . 700 470** or info@eurotops.fr

* 14 Cents/minute via German landline, max. 42 cents/minute via mobile phone network

**34 Cents/minute via French landline

A possible return of products should be addressed to the return address stated on your invoice.

The manual only reflects the technical conditions available under printing. Any changes in technology and equipment are reserved.

© 01.06.2015